

致尊敬的顾客

关于产品目录等资料中的旧公司名称

NEC电子公司与株式会社瑞萨科技于2010年4月1日进行业务整合（合并），整合后的新公司暨“瑞萨电子公司”继承两家公司的所有业务。因此，本资料中虽还保留有旧公司名称等标识，但是并不妨碍本资料的有效性，敬请谅解。

瑞萨电子公司网址：<http://www.renesas.com>

2010年4月1日
瑞萨电子公司

【发行】瑞萨电子公司（<http://www.renesas.com>）

【业务咨询】<http://www.renesas.com/inquiry>

Notice

1. All information included in this document is current as of the date this document is issued. Such information, however, is subject to change without any prior notice. Before purchasing or using any Renesas Electronics products listed herein, please confirm the latest product information with a Renesas Electronics sales office. Also, please pay regular and careful attention to additional and different information to be disclosed by Renesas Electronics such as that disclosed through our website.
2. Renesas Electronics does not assume any liability for infringement of patents, copyrights, or other intellectual property rights of third parties by or arising from the use of Renesas Electronics products or technical information described in this document. No license, express, implied or otherwise, is granted hereby under any patents, copyrights or other intellectual property rights of Renesas Electronics or others.
3. You should not alter, modify, copy, or otherwise misappropriate any Renesas Electronics product, whether in whole or in part.
4. Descriptions of circuits, software and other related information in this document are provided only to illustrate the operation of semiconductor products and application examples. You are fully responsible for the incorporation of these circuits, software, and information in the design of your equipment. Renesas Electronics assumes no responsibility for any losses incurred by you or third parties arising from the use of these circuits, software, or information.
5. When exporting the products or technology described in this document, you should comply with the applicable export control laws and regulations and follow the procedures required by such laws and regulations. You should not use Renesas Electronics products or the technology described in this document for any purpose relating to military applications or use by the military, including but not limited to the development of weapons of mass destruction. Renesas Electronics products and technology may not be used for or incorporated into any products or systems whose manufacture, use, or sale is prohibited under any applicable domestic or foreign laws or regulations.
6. Renesas Electronics has used reasonable care in preparing the information included in this document, but Renesas Electronics does not warrant that such information is error free. Renesas Electronics assumes no liability whatsoever for any damages incurred by you resulting from errors in or omissions from the information included herein.
7. Renesas Electronics products are classified according to the following three quality grades: “Standard”, “High Quality”, and “Specific”. The recommended applications for each Renesas Electronics product depends on the product’s quality grade, as indicated below. You must check the quality grade of each Renesas Electronics product before using it in a particular application. You may not use any Renesas Electronics product for any application categorized as “Specific” without the prior written consent of Renesas Electronics. Further, you may not use any Renesas Electronics product for any application for which it is not intended without the prior written consent of Renesas Electronics. Renesas Electronics shall not be in any way liable for any damages or losses incurred by you or third parties arising from the use of any Renesas Electronics product for an application categorized as “Specific” or for which the product is not intended where you have failed to obtain the prior written consent of Renesas Electronics. The quality grade of each Renesas Electronics product is “Standard” unless otherwise expressly specified in a Renesas Electronics data sheets or data books, etc.
 - “Standard”: Computers; office equipment; communications equipment; test and measurement equipment; audio and visual equipment; home electronic appliances; machine tools; personal electronic equipment; and industrial robots.
 - “High Quality”: Transportation equipment (automobiles, trains, ships, etc.); traffic control systems; anti-disaster systems; anti-crime systems; safety equipment; and medical equipment not specifically designed for life support.
 - “Specific”: Aircraft; aerospace equipment; submersible repeaters; nuclear reactor control systems; medical equipment or systems for life support (e.g. artificial life support devices or systems), surgical implantations, or healthcare intervention (e.g. excision, etc.), and any other applications or purposes that pose a direct threat to human life.
8. You should use the Renesas Electronics products described in this document within the range specified by Renesas Electronics, especially with respect to the maximum rating, operating supply voltage range, movement power voltage range, heat radiation characteristics, installation and other product characteristics. Renesas Electronics shall have no liability for malfunctions or damages arising out of the use of Renesas Electronics products beyond such specified ranges.
9. Although Renesas Electronics endeavors to improve the quality and reliability of its products, semiconductor products have specific characteristics such as the occurrence of failure at a certain rate and malfunctions under certain use conditions. Further, Renesas Electronics products are not subject to radiation resistance design. Please be sure to implement safety measures to guard them against the possibility of physical injury, and injury or damage caused by fire in the event of the failure of a Renesas Electronics product, such as safety design for hardware and software including but not limited to redundancy, fire control and malfunction prevention, appropriate treatment for aging degradation or any other appropriate measures. Because the evaluation of microcomputer software alone is very difficult, please evaluate the safety of the final products or system manufactured by you.
10. Please contact a Renesas Electronics sales office for details as to environmental matters such as the environmental compatibility of each Renesas Electronics product. Please use Renesas Electronics products in compliance with all applicable laws and regulations that regulate the inclusion or use of controlled substances, including without limitation, the EU RoHS Directive. Renesas Electronics assumes no liability for damages or losses occurring as a result of your noncompliance with applicable laws and regulations.
11. This document may not be reproduced or duplicated, in any form, in whole or in part, without prior written consent of Renesas Electronics.
12. Please contact a Renesas Electronics sales office if you have any questions regarding the information contained in this document or Renesas Electronics products, or if you have any other inquiries.

(Note 1) “Renesas Electronics” as used in this document means Renesas Electronics Corporation and also includes its majority-owned subsidiaries.

(Note 2) “Renesas Electronics product(s)” means any product developed or manufactured by or for Renesas Electronics.

E8a 仿真器

用户手册附加文档

R0E00008AKCE00EP27

瑞萨单片机开发环境系统

M16C族 / R8C/Tiny 系列

连接R8C/2A、R8C/2B、R8C/2C和
R8C/2D时的注意事项

Notes regarding these materials

1. This document is provided for reference purposes only so that Renesas customers may select the appropriate Renesas products for their use. Renesas neither makes warranties or representations with respect to the accuracy or completeness of the information contained in this document nor grants any license to any intellectual property rights or any other rights of Renesas or any third party with respect to the information in this document.
2. Renesas shall have no liability for damages or infringement of any intellectual property or other rights arising out of the use of any information in this document, including, but not limited to, product data, diagrams, charts, programs, algorithms, and application circuit examples.
3. You should not use the products or the technology described in this document for the purpose of military applications such as the development of weapons of mass destruction or for the purpose of any other military use. When exporting the products or technology described herein, you should follow the applicable export control laws and regulations, and procedures required by such laws and regulations.
4. All information included in this document such as product data, diagrams, charts, programs, algorithms, and application circuit examples, is current as of the date this document is issued. Such information, however, is subject to change without any prior notice. Before purchasing or using any Renesas products listed in this document, please confirm the latest product information with a Renesas sales office. Also, please pay regular and careful attention to additional and different information to be disclosed by Renesas such as that disclosed through our website. (<http://www.renesas.com>)
5. Renesas has used reasonable care in compiling the information included in this document, but Renesas assumes no liability whatsoever for any damages incurred as a result of errors or omissions in the information included in this document.
6. When using or otherwise relying on the information in this document, you should evaluate the information in light of the total system before deciding about the applicability of such information to the intended application. Renesas makes no representations, warranties or guaranties regarding the suitability of its products for any particular application and specifically disclaims any liability arising out of the application and use of the information in this document or Renesas products.
7. With the exception of products specified by Renesas as suitable for automobile applications, Renesas products are not designed, manufactured or tested for applications or otherwise in systems the failure or malfunction of which may cause a direct threat to human life or create a risk of human injury or which require especially high quality and reliability such as safety systems, or equipment or systems for transportation and traffic, healthcare, combustion control, aerospace and aeronautics, nuclear power, or undersea communication transmission. If you are considering the use of our products for such purposes, please contact a Renesas sales office beforehand. Renesas shall have no liability for damages arising out of the uses set forth above.
8. Notwithstanding the preceding paragraph, you should not use Renesas products for the purposes listed below:
 - (1) artificial life support devices or systems
 - (2) surgical implantations
 - (3) healthcare intervention (e.g., excision, administration of medication, etc.)
 - (4) any other purposes that pose a direct threat to human lifeRenesas shall have no liability for damages arising out of the uses set forth in the above and purchasers who elect to use Renesas products in any of the foregoing applications shall indemnify and hold harmless Renesas Technology Corp., its affiliated companies and their officers, directors, and employees against any and all damages arising out of such applications.
9. You should use the products described herein within the range specified by Renesas, especially with respect to the maximum rating, operating supply voltage range, movement power voltage range, heat radiation characteristics, installation and other product characteristics. Renesas shall have no liability for malfunctions or damages arising out of the use of Renesas products beyond such specified ranges.
10. Although Renesas endeavors to improve the quality and reliability of its products, IC products have specific characteristics such as the occurrence of failure at a certain rate and malfunctions under certain use conditions. Please be sure to implement safety measures to guard against the possibility of physical injury, and injury or damage caused by fire in the event of the failure of a Renesas product, such as safety design for hardware and software including but not limited to redundancy, fire control and malfunction prevention, appropriate treatment for aging degradation or any other applicable measures. Among others, since the evaluation of microcomputer software alone is very difficult, please evaluate the safety of the final products or system manufactured by you.
11. In case Renesas products listed in this document are detached from the products to which the Renesas products are attached or affixed, the risk of accident such as swallowing by infants and small children is very high. You should implement safety measures so that Renesas products may not be easily detached from your products. Renesas shall have no liability for damages arising out of such detachment.
12. This document may not be reproduced or duplicated, in any form, in whole or in part, without prior written approval from Renesas.
13. Please contact a Renesas sales office if you have any questions regarding the information contained in this document, Renesas semiconductor products, or if you have any other inquiries.

注意

本文只是参考译文，前页所载英文版“Cautions”具有正式效力。

关于利用本资料时的注意事项

1. 本资料是为了让用户根据用途选择合适的本公司产品的参考资料，对于本资料中所记载的技术信息，并非意味着对本公司或者第三者的知识产权及其他权利做出保证或对实施权力进行的承诺。
2. 对于因使用本资料所记载的产品数据、图、表、程序、算法及其他应用电路例而引起的损害或者对第三者的知识产权及其他权利造成侵犯，本公司不承担任何责任。
3. 不能将本资料所记载的产品和技术用于大规模破坏性武器的开发等目的、军事目的或其他的军需用途方面。另外，在出口时必须遵守日本的《外汇及外国贸易法》及其他出口的相关法令并履行这些法令中规定的必要手续。
4. 本资料所记载的产品数据、图、表、程序、算法以及其他应用电路例等所有信息均为本资料发行时的内容，本公司有可能在未做事先通知的情况下，对本资料所记载的产品或者产品规格进行更改。所以在购买和使用本公司的半导体产品之前，请事先向本公司的营业窗口确认最新的信息并经常留意本公司通过公司主页 (<http://www.renesas.com>)等公开的最新信息。
5. 对于本资料中所记载的信息，制作时我们尽力保证出版时的精确性，但不承担因本资料的叙述不当而使顾客遭受损失等的任何相关责任。
6. 在使用本资料所记载的产品数据、图、表等所示的技术内容、程序、算法及其他应用电路例时，不仅要对所使用的技术信息进行单独评价，还要对整个系统进行充分的评价。请顾客自行负责，进行是否适用的判断。本公司对于是否适用不负任何责任。
7. 本资料中所记载的产品并非针对万一出现故障或是错误运行就会威胁到人的生命或给人体带来危害的机器、系统(如各种安全装置或者运输交通用的、医疗、燃烧控制、航天器械、核能、海底中继用的机器和系统等)而设计和制造的,特别是对于品质和可靠性要求极高的机器和系统等(将本公司指定用于汽车方面的产品用于汽车时除外)。如果要用于上述的目的,请务必事先向本公司的营业窗口咨询。另外,对于用于上述目的而造成的损失等,本公司概不负责。
8. 除上述第7项内容外,不能将本资料中记载的产品用于以下用途。如果用于以下用途而造成的损失,本公司概不负责。
 - 1) 生命维持装置。
 - 2) 植埋于人体使用的装置。
 - 3) 用于治疗(切除患部、给药等)的装置。
 - 4) 其他直接影响到人的生命的装置。
9. 在使用本资料所记载的产品时,对于最大额定值、工作电源电压的范围、放热特性、安装条件及其他条件请在本公司规定的保证范围内使用。如果超出了本公司规定的保证范围使用时,对于由此而造成的故障和出现的事故,本公司将不承担任何责任。
10. 本公司一直致力于提高产品的质量和可靠性,但一般来说,半导体产品总会以一定的概率发生故障、或者由于使用条件不同而出现错误运行等。为了避免因本公司的产品发生故障或者错误运行而导致人身事故和火灾或造成社会性的损失,希望客户能自行负责进行冗余设计、采取延烧对策及进行防止错误运行等的安全设计(包括硬件和软件两方面的设计)以及老化处理等,这是作为机器和系统的出厂保证。特别是单片机的软件,由于单独进行验证很困难,所以要求在顾客制造的最终的机器及系统上进行安全检验工作。
11. 如果把本资料所记载的产品从其载体设备上卸下,有可能造成婴儿误吞的危险。顾客在将本公司产品安装到顾客的设备上时,请顾客自行负责将本公司产品设置为不容易剥落的安全设计。如果从顾客的设备上剥落而造成事故时,本公司将不承担任何责任。
12. 在未得到本公司的事先书面认可时,不可将本资料的一部分或者全部转载或者复制。
13. 如果需要了解关于本资料的详细内容,或者有其他关心的问题,请向本公司的营业窗口咨询。

目 录

第 1 章	E8a 仿真器用户手册内容	1
第 2 章	E8a 仿真器规格	2
第 3 章	将 E8a 仿真器连接至用户系统	3
第 4 章	E8a 连接器引脚分配	4
第 5 章	E8a 连接示例	5
第 6 章	使用 E8a 仿真器时的注意事项	8
第 7 章	调试器设置	15
第 8 章	适用的工具链和第三方产品	19

本用户手册适用于 E8a 仿真器软件 V.1.00 Release 00 或更高版本。

第 1 章 E8a 仿真器用户手册内容

E8a 手册包含两个文档：“E8a 用户手册”和“E8a 用户手册附加文档”（本文档）。请务必在使用 E8a 仿真器之前先阅读这两个文档。

(1) E8a 仿真器用户手册

“E8a 仿真器用户手册”介绍硬件规格以及如何使用仿真调试器。

- E8a 仿真器硬件规格
- 将 E8a 仿真器连接到主机或用户系统
- 运行 E8a 仿真调试器
- 教程：从启动 E8a 仿真调试器到调试

(2) E8a 用户手册附加文档

“E8a 用户手册附加文档”介绍与 MCU 有关的内容以及注意事项。

- E8a 仿真器使用的 MCU 资源
- 设计硬件所需的 E8a 仿真器连接或接口电路的示例
- 使用 E8a 仿真器时的注意事项
- 启动过程中设置 E8a 仿真调试器

第 2 章 E8a 仿真器规格

表 2.1 列出了 R8C/2A、R8C/2B、R8C/2C 和 R8C/2D 组的 E8a 仿真器规格。

表 2.1 R8C/2A、R8C/2B、R8C/2C 和 R8C/2D 组的 E8a 仿真器规格

目标 MCU	M16C 族 R8C/Tiny 系列 R8C/2A、R8C/2B、R8C/2C 和 R8C/2D 组
可用工作模式	单片模式
断点功能	<ul style="list-style-type: none"> — 地址匹配断点，4 个点，或 地址匹配断点，2 个点 + 数据条件中断，1 个点 — PC 断点（最多 255 个点） — 强制中断
跟踪功能	最后 4 个转移指令
闪存编程功能	可用
用户接口	1 线时钟异步串行接口（通过 MODE 引脚进行通信） * UART1 功能不能用在用户程序中
要使用的 MCU 资源	<ul style="list-style-type: none"> — ROM 容量：2 KB [*1] — 堆栈 8 字节 — 地址匹配中断 — UART 1 功能
仿真器电源	不需要（由 PC 经 USB 总线供电）
与主机的接口	USB（USB 1.1，全速） * 此外还可连接到支持 USB 2.0 的主机
电源供给功能	可以向用户系统提供 3.3 V 或 5.0 V 的电压（最大 300 mA）
电源电压	3.0 ~ 5.5 V (f(XIN)=20MHz) 2.7 ~ 5.5 V (f(XIN)=10MHz)

注意：因具体的 MCU 而异。有关详细信息，请参阅第 6 章“使用 E8a 仿真器时的注意事项”。

表 2.2 说明了 E8a 仿真器的操作环境。

表 2.2 操作环境

温度	工作时 不工作时	: 10 °C 至 35 °C : -10 °C 至 50 °C
湿度	工作时 不工作时	: 35% RH 至 80% RH, 无冷凝 : 35% RH 至 80% RH, 无冷凝
振动	工作时 不工作时 运输时	: 最大 2.45 m/s ² : 最大 4.9 m/s ² : 最大 14.7 m/s ²
环境气体		无腐蚀性气体

第 3 章 将 E8a 仿真器连接至用户系统

在将 E8a 仿真器连接至用户系统之前，必须在用户系统中安装连接器，以便可以连接用户系统接口电缆。设计用户系统时，请参考图 4.1 “E8a 连接器引脚分配”以及图 5.1 “E8a 连接示例”。

在设计用户系统之前，请务必阅读“E8a 仿真器用户手册”以及相关的器件硬件手册。

表 3.1 列出了推荐用于 E8a 仿真器的连接器。

表 3.1 推荐的连接器

	型号	制造商	规格
14 引脚连接器	2514-6002	3M Limited	14 引脚直插型

将 E8a 连接器的引脚 2、4、6、10、12 和 14 稳固连接到用户系统板上的 GND（接地）。这些引脚将用作电接地，并监控用户系统连接器的连接。请注意用户系统连接器的引脚分配。

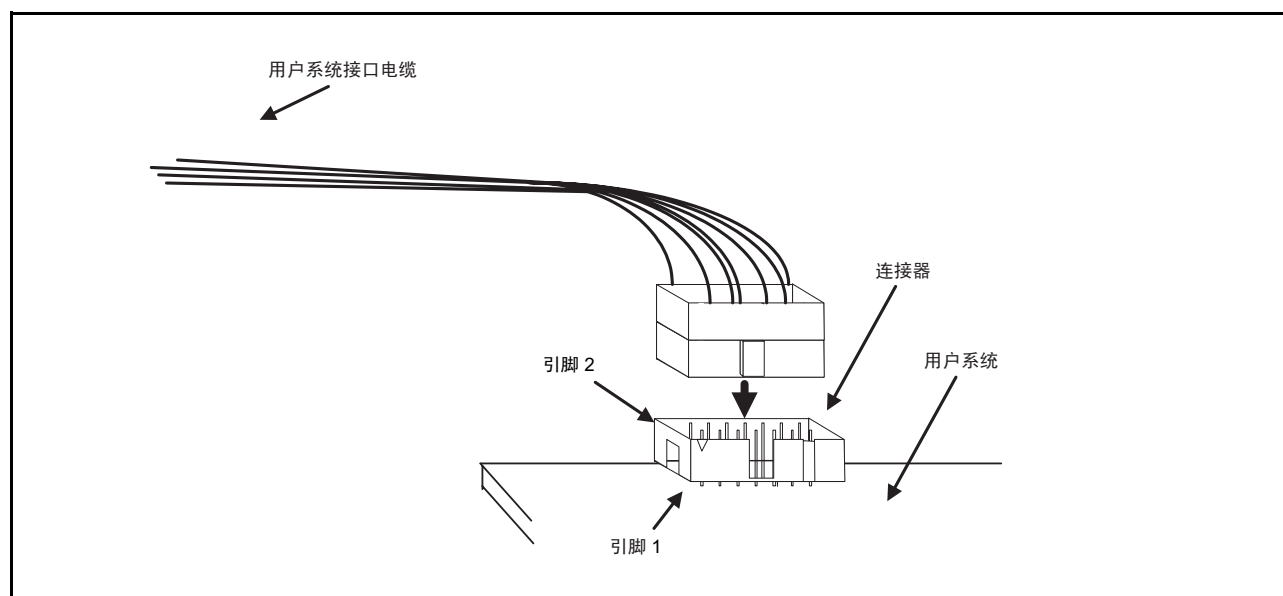


图 3.1 将用户系统接口电缆连接到 E8a 连接器

- 注意：
1. 请勿在连接器周围 3 mm 范围内安装任何部件。
 2. 将 E8a 仿真器用作编程器时，请将它以相同的方式连接到用户系统。

第 4 章 E8a 连接器引脚分配

图 4.1 显示了 E8a 连接器的引脚分配。

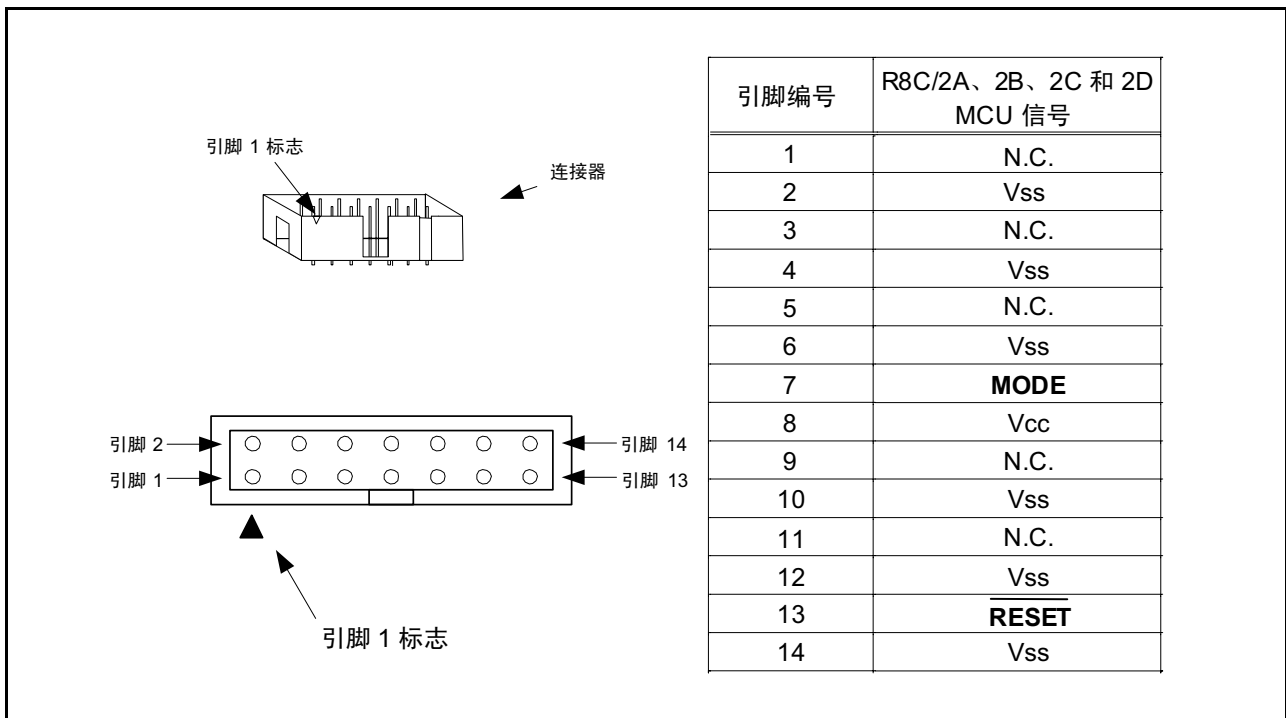


图 4.1 E8a 连接器引脚分配

注意：引脚 14 用于检查 E8a 与用户系统之间的连接，引脚 4、6 和 10 连接到内部电路。这些引脚不直接连接到 E8a 内部的 Vss。请确保引脚 2、4、6、10、12 和 14 均连接到 Vss。

第 5 章 E8a 连接示例

图 5.1 给出了连接示例。

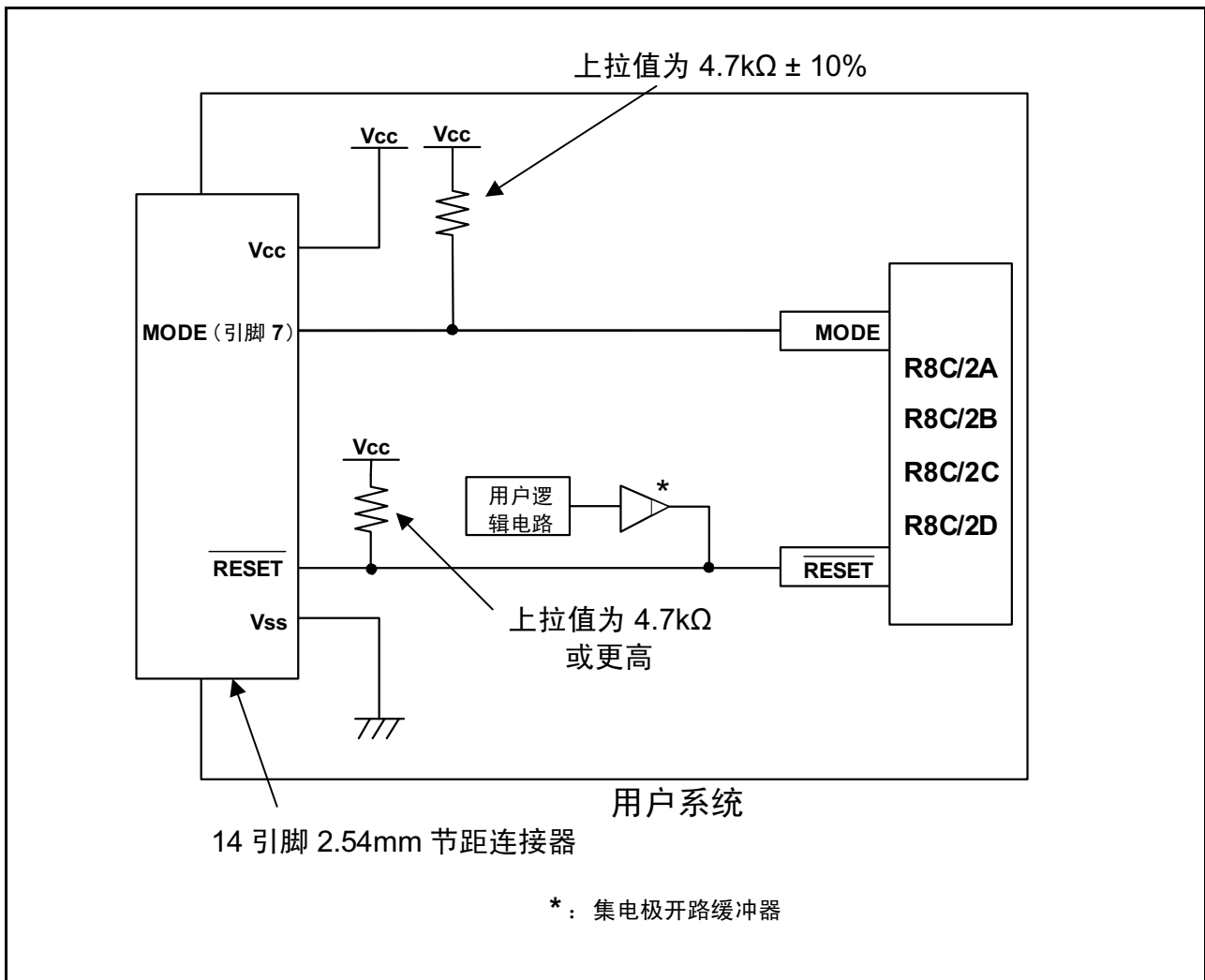


图 5.1 E8a 连接示例

将仿真器用作编程器时，E8a 与 MCU 之间的连接规格如图 5.1 所示。

要点

1. E8a 仿真器使用 MODE 引脚来控制 MCU 和强制断点。上拉 E8a 仿真器和 MCU 引脚并连接 E8a 仿真器。

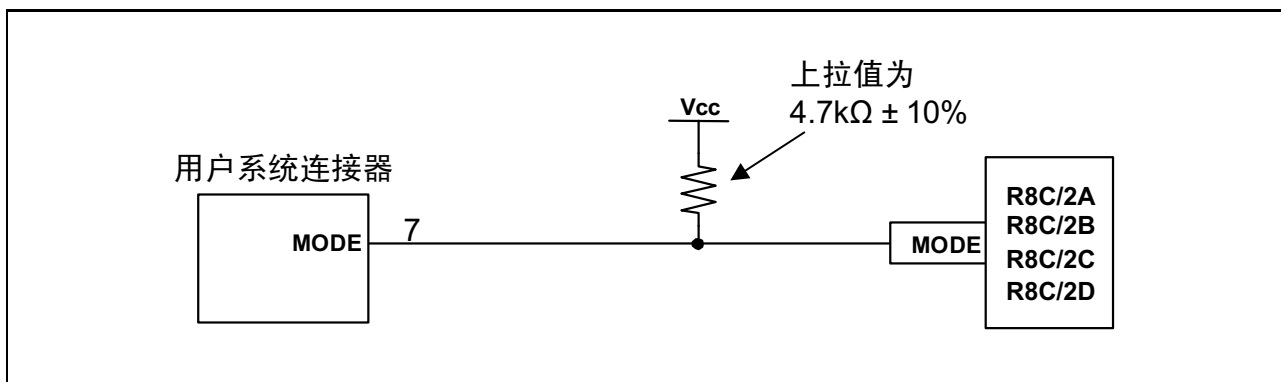


图 5.2 E8a 仿真器和 MODE 引脚连接

2. $\overline{\text{RESET}}$ 引脚由 E8a 仿真器使用。因此，应使用集电极开路输出缓冲器或 CR 复位电路作为用户系统的复位电路。推荐的上拉值是 $4.7\text{k}\Omega$ 或更高。可以通过从 E8a 仿真器输出“L”来复位 MCU。但是，如果复位 IC 输出为“H”，则用户系统复位电路将无法设置为“L”。这时，E8a 仿真器将不能正常工作。

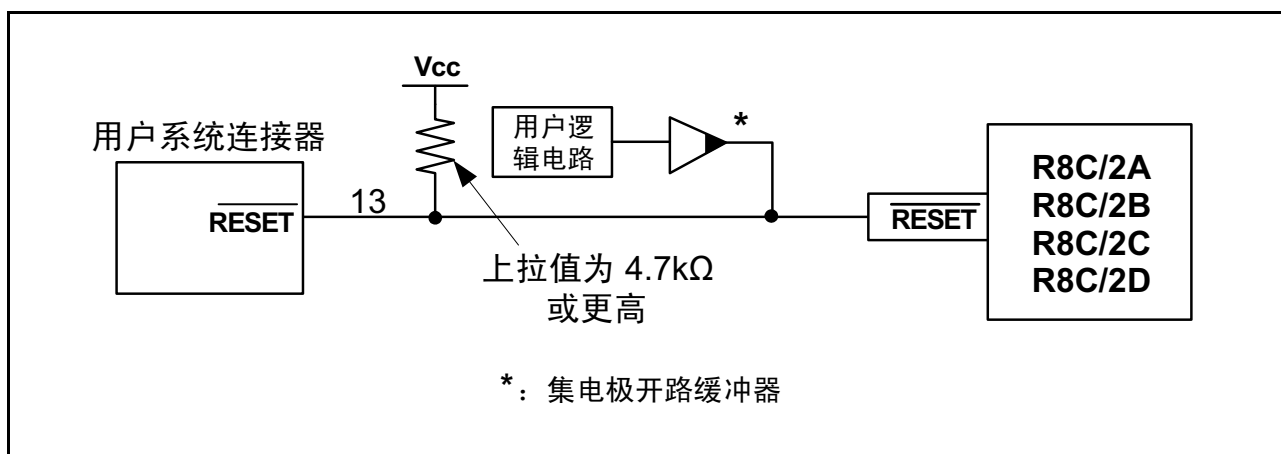


图 5.3 复位电路示例

3. 将 Vss 和 Vcc 分别连接到 MCU 的 Vss 和 Vcc。
4. 不要对带有 N.C.（无连接）的引脚进行任何连接。
5. Vcc 的电压输入量必须在 MCU 的指定范围内。
6. 引脚 14 用于检查 E8a 与用户系统之间的连接，引脚 4、6 和 10 连接到内部电路。这些引脚不直接连接到 E8a 内部的 Vss。请确保引脚 2、4、6、10、12 和 14 均连接到 Vss。

7. 图 5.4 显示了 E8a 仿真器中的接口电路。请参考此图来确定上拉电阻值。

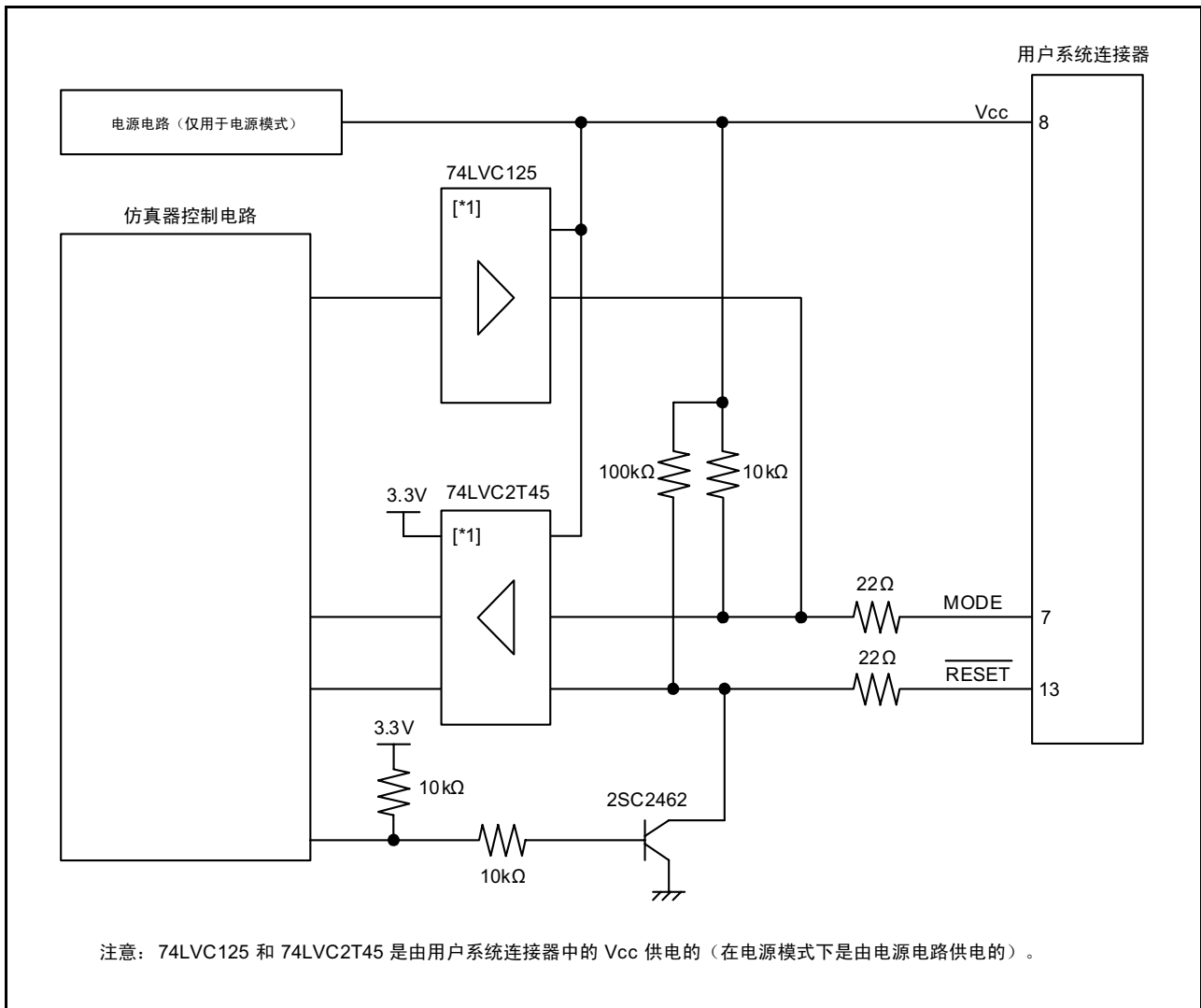


图 5.4 E8a 仿真器内部的接口电路（仅供参考）

第 6 章 使用 E8a 仿真器时的注意事项

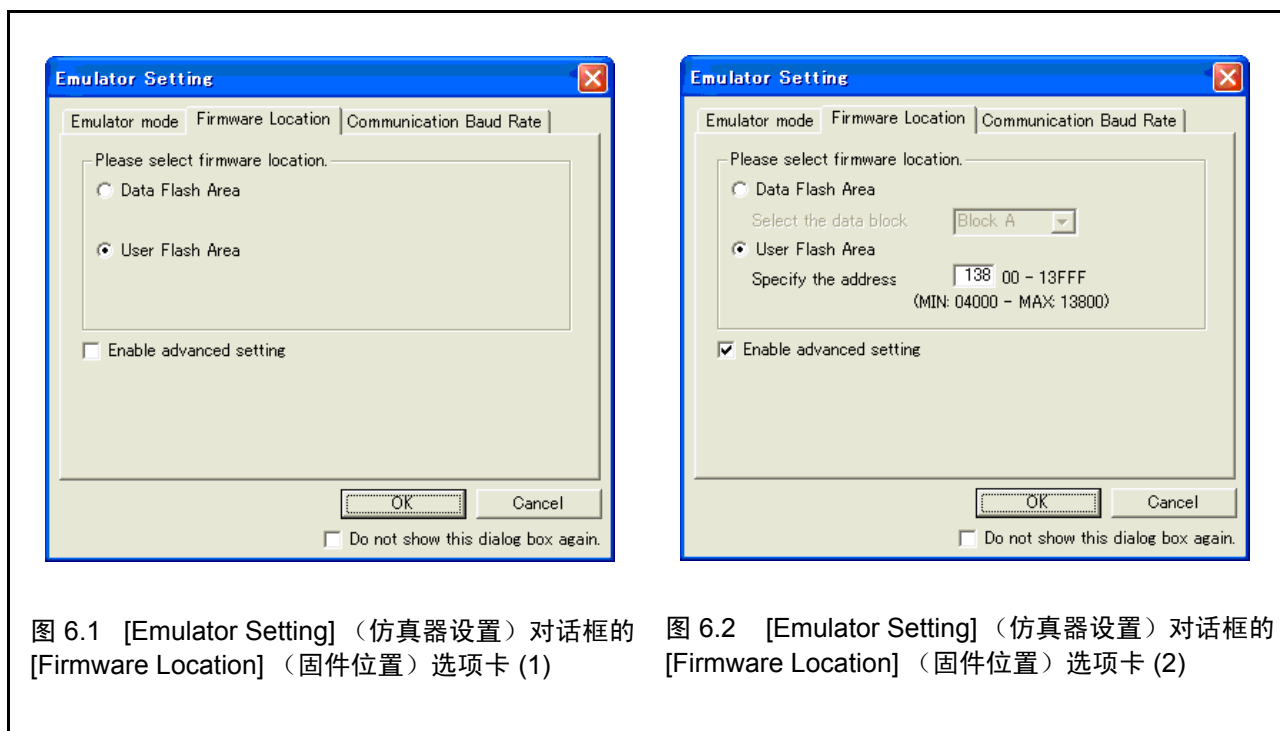
1. E8a 仿真器的程序区

表 6.1 列出了分配给 E8a 仿真器的程序区。请不要更改此区域分配，否则 E8a 仿真器将无法控制 MCU。如果更改了设置，请断开调试器，然后重新连接。

表 6.1 E8a 仿真器的程序区

组	部件号	ROM 容量		E8a 仿真器的程序区	
		编程区	数据区	向量区	ROM 区 (默认区域)
R8C/2A	R5F212A7	48 KB	-	FFE4h - FFE7h、 FFE8h - FFEbH、 FFEcH - FFEfH、 FFF4h - FFF7h、 FFF8h - FFFbH、 FFFcH - FFFeH	-
	R5F212A8	64 KB	-		2KB ROM 区 [*1] (用户闪存区 13800h - 13FFFh)
	R5F212AA	96 KB	-		-
	R5F212AC	128 KB	-		2KB ROM 区 [*1] (用户闪存区 23800h - 23FFFh)
R8C/2B	R5F212B7	48 KB	2 KB		-
	R5F212B8	64 KB	2 KB		2KB ROM 区 [*1] (数据闪存区 2400h - 2BFFh) 或 (用户闪存区 13800h - 13FFFh)
	R5F212BA	96 KB	2 KB		-
	R5F212BC	128 KB	2 KB		2KB ROM 区 [*1] (数据闪存区 2400h - 2BFFh) 或 (用户闪存区 23800h - 23FFFh)
R8C/2C	R5F212C7	48 KB	-		-
	R5F212C8	64 KB	-		2KB ROM 区 [*1] (用户闪存区 13800h - 13FFFh)
	R5F212CA	96 KB	-		-
	R5F212CC	128 KB	-		2KB ROM 区 [*1] (用户闪存区 23800h - 23FFFh)
R8C/2D	R5F212D7	48 KB	2 KB		-
	R5F212D8	64 KB	2 KB		2KB ROM 区 [*1] (数据闪存区 2400h - 2BFFh) 或 (用户闪存区 13800h - 13FFFh)
	R5F212DA	96 KB	2 KB		-
	R5F212DC	128 KB	2 KB		2KB ROM 区 [*1] (数据闪存区 2400h - 2BFFh) 或 (用户闪存区 23800h - 23FFFh)

注意：启动调试器时，将显示如图 6.1 所示的 [Emulator Setting]（仿真器设置）对话框。指定将不会在用户系统中使用的区域。如果选中 [Enable advanced setting]（允许高级设置）复选框，则可以用地址来指定仿真器使用的区域（图 6.2）。



2. 系统启动后，E8a 仿真器会初始化通用寄存器以及一部分标志寄存器，如表 6.2 所示。

表 6.2 E8a 仿真器寄存器初始值

状态	寄存器	初始值
E8a 仿真器激活时 (加电)	PC	向量地址表中的复位向量值
	R0 到 R3（存储体 0, 1）	0000h
	A0、A1（存储体 0, 1）	0000h
	FB（存储体 0, 1）	0000h
	INTB	0000h
	USP	0000h
	ISP	05FFh
	SB	0000h
	FLG	0000h

- E8a 仿真器使用 MODE 和 $\overline{\text{RESET}}$ 引脚与 MCU 通信。
- E8a 仿真器在用户程序暂停期间使用多达 8 字节的堆栈指针。因此，应当为堆栈区留出 8 字节。
- E8a 仿真器程序使用的外围功能
UART1 由 E8a 仿真器使用。不要在用户程序中使用 UART1。

6. E8a 仿真器程序使用的 SFR

表 6.3 中列出的 SFR 由 E8a 仿真器程序 and 用户程序使用。不要针对用户程序以外的其他程序在存储器窗口等位置更改这一值。请注意，尽管可以在用户程序执行期间更改 SFR，但在断点处无法读取更改后的值。

表 6.4 中列出的 SFR 由 E8a 仿真器程序使用，而不由用户程序使用。不要更改这些寄存器，否则 E8a 将无法控制 MCU。请注意，UART1 发送中断控制寄存器 S1TIC 和 UART1 接收中断控制寄存器 S1RIC 总是读出仿真器使用的值。

表 6.3 和 6.4 中列出的 SFR 不能通过选择 [Debug]（调试）→ [Reset CPU]（复位 CPU）或使用 RESET（复位）命令来初始化。如果引用寄存器内容，将读出在 E8a 仿真器程序中设置的值。

表 6.3 E8a 仿真器程序使用的 SFR (1)

地址	寄存器	符号	位
000Ah	保护寄存器	PRCR	第 0 位
0023h	高速 on-chip 振荡器控制寄存器 0	FRA0	第 0 位
0024h	高速 on-chip 振荡器控制寄存器 1	FRA1	所有位
01B3h	闪存控制寄存器 4	FMR4	第 7 位

表 6.4 E8a 仿真器程序使用的 SFR (2)

地址	寄存器	符号	位	使用 E8a 仿真器时的注意事项
0010h - 0012h	地址匹配中断寄存器 0	RMAD0		[*1]
0013h	地址匹配中断允许寄存器	AIER	所有位	[*1]
0014h - 0016h	地址匹配中断寄存器 1	RMAD1	所有位	[*1]
00A8h	UART1 发送 / 接收模式寄存器	U1MR	所有位	[*1]
00A9h	UART1 位速率寄存器	U1BRG	所有位	[*1]
00AAh、00ABh	UART1 发送缓冲寄存器	U1TB	所有位	[*1]
00ACh	UART1 发送 / 接收控制寄存器 0	U1C0	所有位	[*1]
00ADh	UART1 发送 / 接收控制寄存器 1	U1C1	所有位	[*1]
00AEh、00AFh	UART1 接收缓冲寄存器	U1RB	所有位	[*1]
00F8h	端口模式寄存器	PMR	第 4 位	[*2]

注意：1. 请勿改变此寄存器值。

2. 请勿改变左侧列中列出的位值。操作此寄存器时，请使用位操作指令来进行更改，以避免改变位值。

7. E8a 仿真器程序使用的中断

BRK 指令中断、地址匹配中断、单步中断以及地址断点中断由 E8a 仿真器程序使用。因此，请确保用户程序不使用其中的任何中断。E8a 仿真器将这些中断向量值改为将由仿真器使用的值。如果在用户程序中写入中断向量值，将不会发生任何问题。

8. 看门狗定时器操作期间的调试

运行 E8a 仿真器程序时，程序会刷新看门狗定时器。如果通过存储器引用或修改来执行存储器存取，看门狗定时器将由 E8a 仿真器程序刷新。请注意此定时与实际的操作定时不同。

9. 闪存 ID 码

此 MCU 功能可防止闪存被用户以外的任何人读出。写入 MCU 闪存的 ID 码（表 6.5）必须与调试器启动时图 6.3 [ID Code verification]（ID 码验证）对话框中显示的 ID 码匹配，否则调试器将无法启动。请注意，如果 ID 码为 FFh, FFh, FFh, FFh, FFh, FFh, FFh，ID 码将被视为未定义。在这种情况下，ID 码将自动通过验证，而不显示 [ID Code verification]（ID 码验证）对话框。

在 [Program Flash]（闪存编程）模式下，用户程序的内容将被输入 ID 码区域。在其他模式下进行调试时，无论下载的用户程序的内容如何，都会将 FFh, FFh, FFh, FFh, FFh, FFh, FFh 写入 ID 码区域。

表 6.5 R8C/2A、2B、2C 和 2D 的 ID 码存储区

地址	说明
FFDFh	ID 码的第一字节
FFE3h	ID 码的第二字节
FFEBh	ID 码的第三字节
FFEFh	ID 码的第四字节
FFF3h	ID 码的第五字节
FFF7h	ID 码的第六字节
FFFBh	ID 码的第七字节

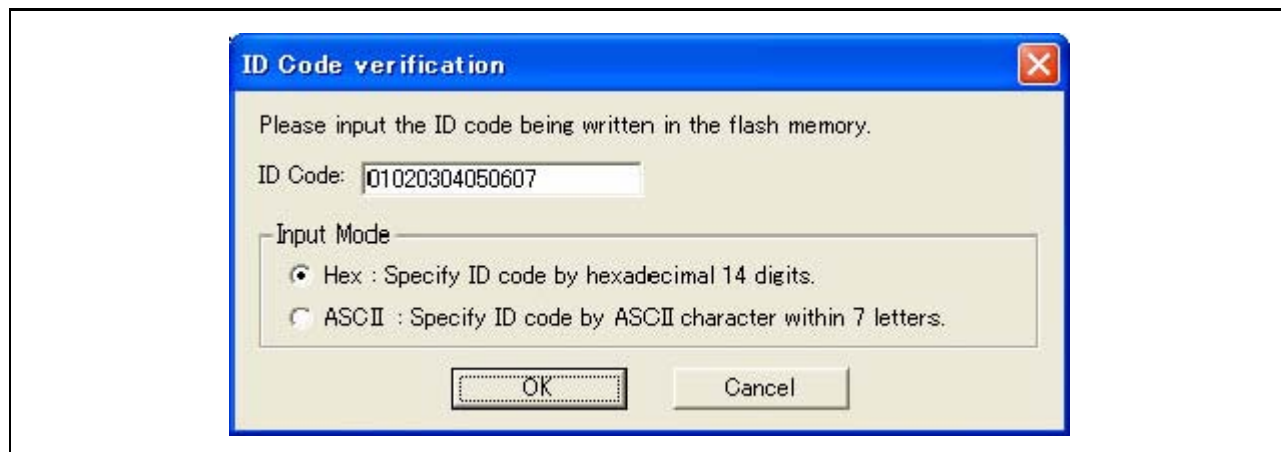


图 6.3 [ID Code verification]（ID 码验证）对话框

关于 [Program Flash]（闪存编程）模式的注意事项：

如果 ID 码是通过 lmc30 的 -ID 选项指定的，将下载 MOT 文件或 HEX 文件。下载 X30 文件后，ID 码将变得无效。下载 X30 文件时，应使用例如“.BYTE”这样的汇编器指令命令来指定 ID 码。汇编器指令命令“.ID”指定的 ID 码被输出到的文件因汇编器的版本而异。有关详细信息，请参阅汇编器用户手册。

10. 用户程序暂停期间的操作时钟

用户程序暂停时，仿真器会将 CPU 时钟改为内部高速 on-chip 振荡器（大约 8MHz）并以这一时钟工作。但是，外围功能以用户程序指定的时钟工作。

11. 复位

复位向量由 E8a 仿真器程序使用。如果 MCU 在用户程序执行期间复位，则控制权将转移给 E8a 仿真器程序，并强制用户程序停止。不要使用电压监控器 0 复位、电压监控器 1 复位、电压监控器 2 复位、看门狗定时器复位和软件复位，否则 E8a 仿真器将不会正常工作。

12. 仿真执行过程中的存储器存取

引用或修改存储器内容时，用户程序会暂停。因此，无法执行实时仿真。如果必须在程序执行期间进行实时仿真，则应在运行程序之前，在监视窗口中禁止自动更新，或者固定存储器窗口中的显示，以确保在执行过程中不会发生存储器存取。

13. 如果 E8a 仿真器未向用户系统供电，将消耗用户系统的电源电压，消耗量从几毫安 (mA) 到 10 毫安 (mA) 以上不等。这是因为用户电源驱动 74LVC125、74LVC1T45 和 74LVC2T45 使通信信号的电平符合用户系统电源电压。

14. 调试时，E8a 仿真器会频繁地重写闪存。因此，请勿在产品中使用已用于调试的 MCU。此外，由于在调试过程中 E8a 仿真器程序会被写入 MCU，因此请不要保存用于调试的 MCU 闪存内容，也不要将它们用作产品的 ROM 数据。

15. 保留区

未在硬件手册中为 R8C/2A、R8C/2B、R8C/2C 和 R8C/2D 组指定的地址是保留区。请勿改变这些内容。否则，E8a 仿真器将无法控制 MCU。

16. 在停止模式或等待模式下进行调试

在停止模式或等待模式下进行调试时，在程序遇到断点而停止之前，不宜在屏幕上作更动。此断点是在程序中取消停止模式或等待模式后执行的代码行上设置的。此外，在运行程序之前，应当在监视窗口中禁止自动更新，或者固定存储器窗口中的显示，以确保在执行过程中不会发生存储器存取。在程序被强制停止，或者在停止或等待模式下引用或修改存储器时，将取消停止或等待模式。

17. 暂停期间的外围 I/O

用户程序暂停期间，尽管外围 I/O 继续运行，但不接受中断。例如，定时器启动后，在用户程序由于遇到断点而停止时，定时器会继续计数，但不接受定时器中断。

18. 异常单步执行

a) 软件中断指令

在 `undefined`、`overflow`、`BRK` 和 `INT` 指令（在程序中不断地产生软件中断）的内部处理中不能进行单步执行。

示例：INT 指令

```

NOP
NOP
INT #3
NOP
JMP MAIN

```

如果执行 STEP（步进），将通过。

```

INT_3:
NOP
NOP
NOP
REIT

```

← 程序应在该地址处停止。

b) INT 指令

要使用 INT 指令调试用户程序，应当为 INT 指令的内部处理设置一个 PC 断点，并用 GO（执行）命令执行程序。

示例：

```

NOP
INT #3
NOP
JMP MAIN
INT_3:
NOP
NOP
REIT

```

使用 GO（执行）命令执行。

19. “Go to cursor”（转至光标）功能

“Go to cursor”（转至光标）功能是使用地址匹配断点来实现的。因此，执行“Go to cursor”（转至光标）命令时，设置的所有地址匹配断点都将变得无效，同时所有 PC 断点仍保持有效。

20. 关于 PC 断点的注意事项

在修改用户程序后下载该程序时，通常不会根据所做的修改对 PC 断点的设定地址进行更正。因此，除设定的 PC 断点外的断点可能发生偏移。下载用户程序后，应当在事件点窗口检查 PC 断点的设置并将其复位。

21. 设置硬件中断的断点条件时的注意事项

如果选择普通地址总线（在 [Break condition]（断点条件）对话框中选择 [Address]（地址）单选按钮）作为地址总线的条件，请不要设置以下地址。否则，可能会发生未经批准的中断。

- 中断向量表中的地址
- 在中断向量表中设置的地址（中断例程起始地址）
- 转移指令的转移地址

固定向量表和可向量表均包括在上面的中断向量表中。

22. 在 CPU 重写模式下进行调试时的注意事项

只能对数据区执行 CPU 重写。如果对程序区执行 CPU 重写，E8a 仿真器将无法控制 MCU。在设置 CPU 重写模式和解除此模式时，不要在重写数据区时暂停用户程序。否则，E8a 仿真器可能无法控制 MCU。此外，在运行程序之前，应当在监视窗口中禁止自动更新，或者固定存储器窗口中的显示，以确保在执行过程中不会发生存储器存取。

要在执行 CPU 重写模式之后检查数据，应在解除 CPU 重写模式后暂停程序并参考存储器窗口，以及执行其他适当的操作。

如果可以对数据区执行 CPU 重写，并且可以暂停擦除/编程进程，则不要使用软件中断。

23. 关于重写闪存的注意事项

在重写闪存时，不要复位 MCU。

当 HEW 的输出窗口中显示“Flash memory write end”（闪存写入结束）时，即说明已重写闪存。如果在重写闪存时复位 MCU，则可能会破坏用户程序或 E8a 仿真器程序。

闪存重写发生在以下情况：

- 下载用户程序时
- 在闪存中设置 PC 断点并执行用户程序后
- 在闪存中取消 PC 断点并执行用户程序后
- 在存储器窗口中重写闪存的值并执行用户程序后

24. 关于 E8a 仿真器电源的注意事项

使用 E8a 仿真器针对批量生产过程编写程序时，程序要求可靠性，因此不要使用 E8a 仿真器电源供给功能。应当根据 MCU 写操作的允许电压，单独为用户系统供电。从 E8a 仿真器供给的电压依赖于 PC 的 USB 电源的质量，因此，精确度没有保证。

第 7 章 调试器设置

1. [Emulator Setting]（仿真器设置）对话框

[Emulator Setting]（仿真器设置）对话框用于设置调试器启动时需要设置的项目。此对话框中设置的内容（不包括 [Power Supply]（电源）分组框项目）同样在调试器下次启动时生效。创建新的工程工作空间后首次启动调试器时，会以向导形式显示 [Emulator Setting]（仿真器设置）对话框。

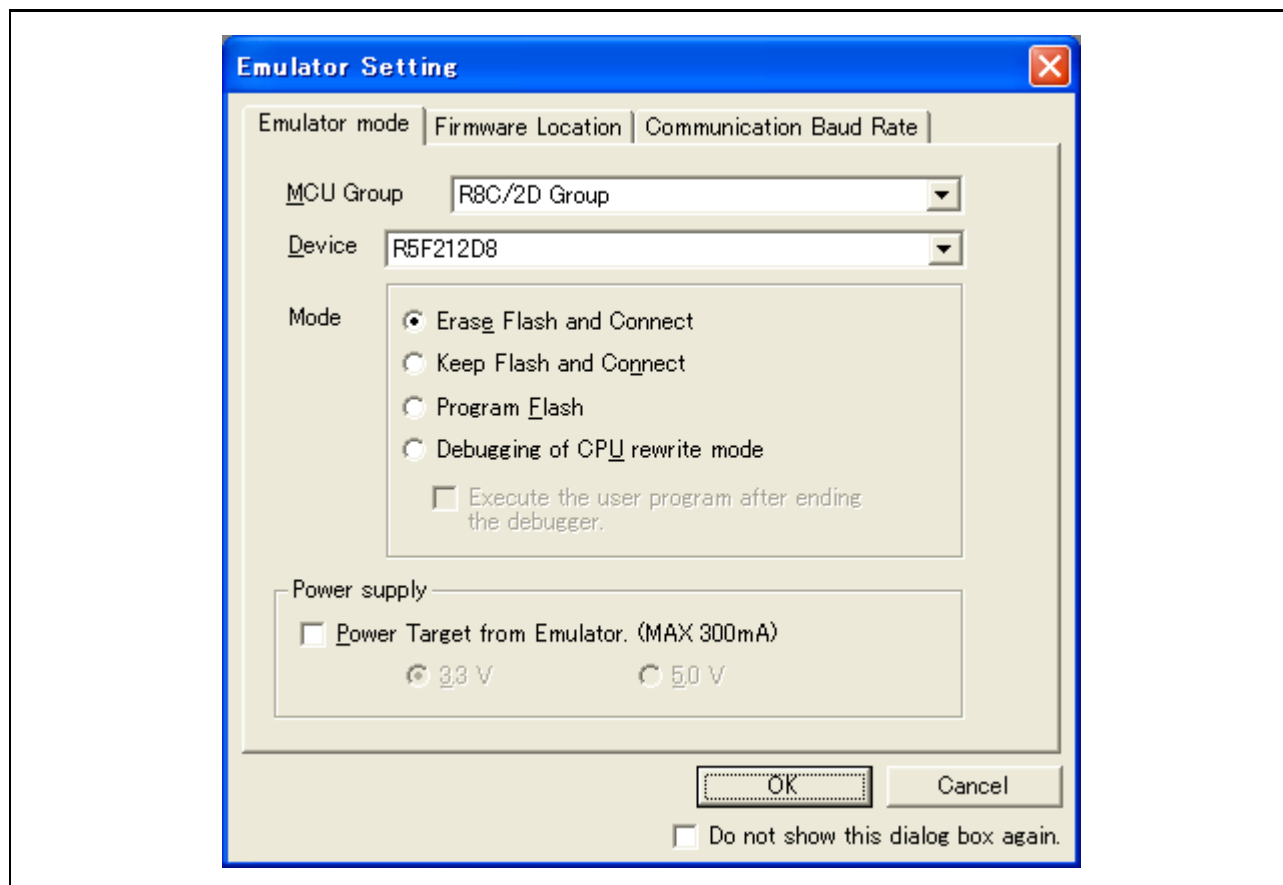


图 7.1 [Emulator Setting]（仿真器设置）对话框

如果选中 [Emulator Setting]（仿真器设置）对话框底部的 [Do not show this dialog box again.]（不再显示此对话框。），则在下次启动调试器时，[Emulator Setting]（仿真器设置）对话框将不会显示。可以通过下列方法之一来打开 [Emulator Setting]（仿真器设置）对话框：

- 调试器启动后，在菜单上选择 [Setup]（设置）→ [Emulator]（仿真器）→ [Emulator Setting...]（仿真器设置...）。
- 启动调试器时按住 Ctrl 键。

选中 [Do not show this dialog box again.]（不再显示此对话框。）后，E8a 将不会向用户系统供电。

2. [Emulator mode]（仿真器模式）选项卡

在 [Emulator Setting]（仿真器设置）对话框的 [Emulator mode]（仿真器模式）选项卡中选择器件、指定模式以及设置电源。

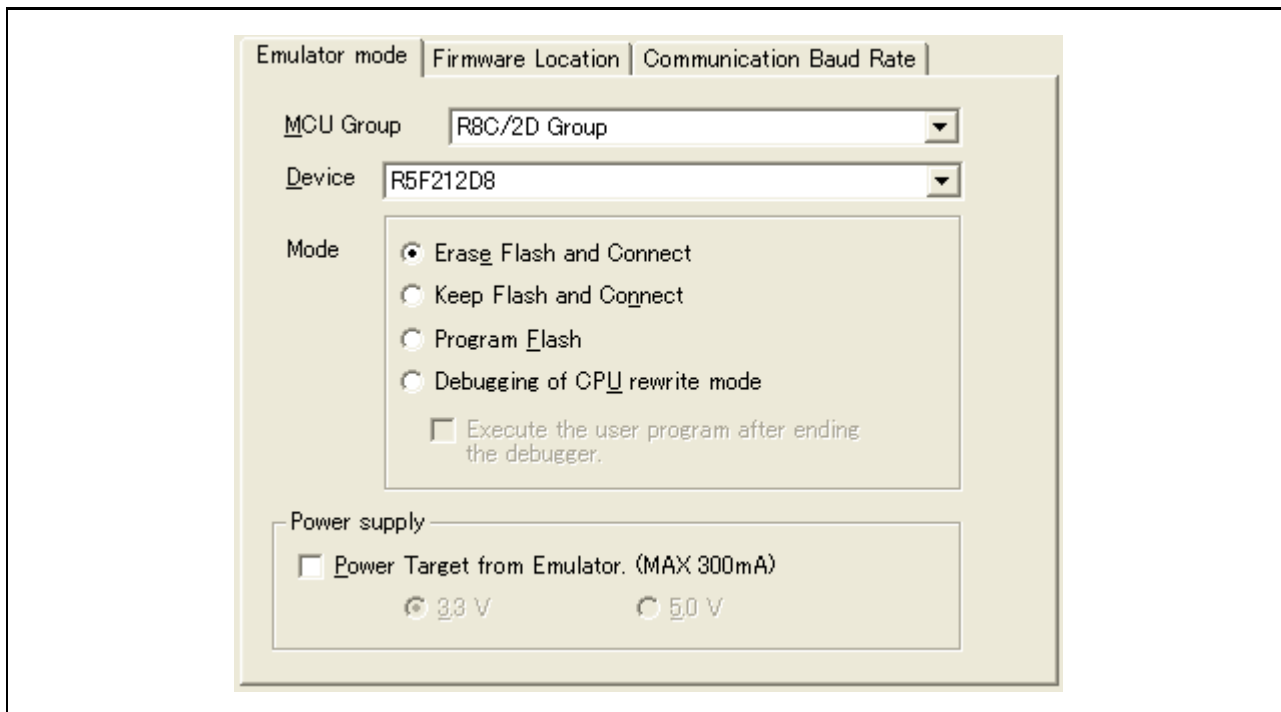


图 7.2 [Emulator mode]（仿真器模式）选项卡

[MCU Group]（MCU 组）

从 [MCU Group]（MCU 组）下拉式列表中选择要使用的 MCU 组的名称。

[Device]（器件）

从 [Device]（器件）下拉式列表中选择要使用的 MCU 的类型。

[Mode] (模式)

- **[Erase Flash and Connect] (擦除闪存并连接)**
启动调试器时，E8a 仿真器会擦除 MCU 的闪存数据，同时写入 E8a 仿真器程序。
- **[Keep Flash and Connect] (保留闪存并连接)**
启动调试器时，E8a 仿真器保留 MCU 的闪存数据。请注意，E8a 仿真器程序的区域以及 E8a 仿真器使用的向量区将更改。
- **[Program Flash] (闪存编程)**
E8a 仿真器作为一个简单的编程器启动。下载后，E8a 将仅写入用户程序（不写入 E8a 仿真器程序）。因此，不能在此模式下调试程序。
- **[Debugging of CPU rewrite mode] (CPU 重写模式的调试)**
调试重写 CPU 的程序时，应选择此设置。在此模式下，不能执行重写闪存的以下调试操作。
 - 设置 PC 断点
 - 更改闪存区域中的存储器内容

在此模式下，启动调试器时，E8a 仿真器会擦除 MCU 的闪存数据，同时写入 E8a 仿真器程序。

选中 **[Execute the user program after ending the debugger.]**（结束调试器后执行用户程序。）后，在 E8a 仿真器连接到用户系统的情况下，会在终止调试器的同时执行用户程序。只有在选择了 **[Program Flash] (闪存编程)** 模式时，此复选框设置才可用。

[Power supply] (电源)

从 E8a 向用户系统供电时，单击 **[Power Target from Emulator. (MAX 300mA)]**（来自仿真器的电源目标（最大 300mA））复选框。

3. [Firmware Location] (固件位置) 选项卡

有关详细信息，请参阅第 6 章“使用 E8a 仿真器时的注意事项”中的“1. E8a 仿真器的程序区”。

4. [Communication Baud Rate] (通信波特率) 选项卡

在 [Communication Baud Rate] (通信波特率) 选项卡中选择 E8a 与 MCU 之间的通信波特率。正常情况下，应选择 500000bps (默认设置)。

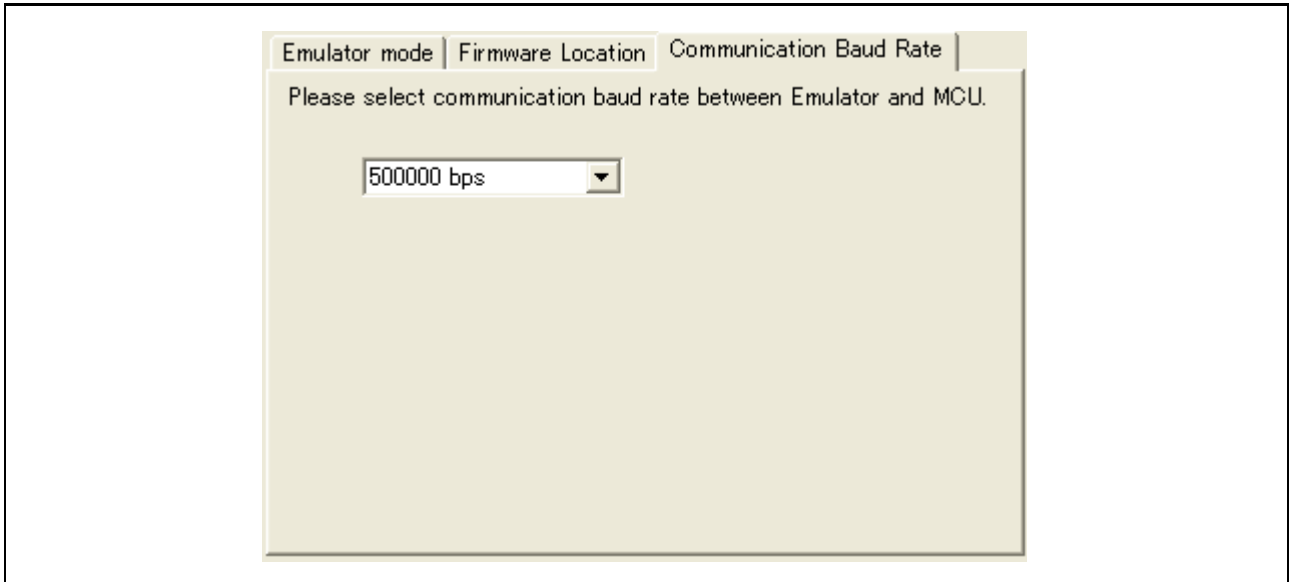


图 7.3 [Communication Baud Rate] (通信波特率) 选项卡

第 8 章 适用的工具链和第三方产品

使用 R8C/Tiny 系列 E8a 仿真器，可以调试使用表 8.1 中列出的公司内部工具链和第三方产品所创建的模块。

表 8.1 适用的工具链和第三方工具

工具链	M3T-NC30WA V.5.20 Release 1 或更高版本 NC8C V.5.30 Release 1 或更高版本
第三方工具	TASKING M16C C/C++/EC++ Compiler V.2.3r1 或更高版本 IAR EWM16C V.2.12 或更高版本

E8a 仿真器
用户手册附加文档
连接 R8C/2A、R8C/2B、R8C/2C 和 R8C/2D 时的注意事项

Publication Date: Rev1.00, Mar. 21, 2008
Published by: Sales Strategic Planning Div.
Renesas Technology Corp.
Edited by: Customer Support Department
Global Strategic Communication Div.
Renesas Solutions Corp.

Renesas Technology Corp. Sales Strategic Planning Div. Nippon Bldg., 2-6-2, Ohte-machi, Chiyoda-ku, Tokyo 100-0004, Japan



RENESAS SALES OFFICES

<http://www.renesas.com>

Refer to "<http://www.renesas.com/en/network>" for the latest and detailed information.

Renesas Technology America, Inc.
450 Holger Way, San Jose, CA 95134-1368, U.S.A
Tel: <1> (408) 382-7500, Fax: <1> (408) 382-7501

Renesas Technology Europe Limited
Dukes Meadow, Millboard Road, Bourne End, Buckinghamshire, SL8 5FH, U.K.
Tel: <44> (1628) 585-100, Fax: <44> (1628) 585-900

Renesas Technology (Shanghai) Co., Ltd.
Unit 204, 205, AZIACenter, No.1233 Lujiazui Ring Rd, Pudong District, Shanghai, China 200120
Tel: <86> (21) 5877-1818, Fax: <86> (21) 6887-7898

Renesas Technology Hong Kong Ltd.
7th Floor, North Tower, World Finance Centre, Harbour City, 1 Canton Road, Tsimshatsui, Kowloon, Hong Kong
Tel: <852> 2265-6688, Fax: <852> 2730-6071

Renesas Technology Taiwan Co., Ltd.
10th Floor, No.99, Fushing North Road, Taipei, Taiwan
Tel: <886> (2) 2715-2888, Fax: <886> (2) 2713-2999

Renesas Technology Singapore Pte. Ltd.
1 Harbour Front Avenue, #06-10, Keppel Bay Tower, Singapore 098632
Tel: <65> 6213-0200, Fax: <65> 6278-8001

Renesas Technology Korea Co., Ltd.
Kukje Center Bldg. 18th Fl., 191, 2-ka, Hangang-ro, Yongsan-ku, Seoul 140-702, Korea
Tel: <82> (2) 796-3115, Fax: <82> (2) 796-2145

Renesas Technology Malaysia Sdn. Bhd
Unit 906, Block B, Menara Amcorp, Amcorp Trade Centre, No.18, Jalan Persiaran Barat, 46050 Petaling Jaya, Selangor Darul Ehsan, Malaysia
Tel: <603> 7955-9390, Fax: <603> 7955-9510



E8a 仿真器
用户手册附加文档



瑞萨电子株式会社